

◆ 技术参数 (Technical parameters)

轴承代号 Bearing No.	型号 Type	外形尺寸 (in) Dimensions (mm)				重量 (Kg) Weight
		d	D	B	C	
NZ75- II	4	8	54	11	9	0.145
NZ75- II FULL	4	8	54	11	9	0.15
NZ75- III	3	8	44	21.5	15	0.1
NZ75- III FULL	3	8	44	21.5	18	0.712
S348	1	12	55	21	20	0.24
S348FULL	2	12	55	21.5	20	0.25
S348 (φ 58 × 14)	1	14	58	22.5	20	0.27
S348 (φ 58 × 13)	1	13	58	22.5	20	0.26
S348 (φ 55 × 14)	1	14	55	22.5	20	0.24
S348 (φ 55 × 16)	1	16	55	20.6	19	0.24
S348 (φ 54.5 × 16)	1	16	54.5	20.6	19	0.2
S348 (φ 57.5 × 16)	1	16	57.5	20.6	19	0.25
S458	1	25	80	28.5	25	0.63
S458FULL	2	25	80	28.5	25	0.7
φ 82 × 25 × 32.1	1	25	82	32.1	28	0.72
φ 82 × 25 × 26.1	1	25	82	26.1	24	0.716
φ 62.5 × 15	1	15	62.5	21.5	19	0.32

轴承代号 Bearing No.	型号 Type	外形尺寸 (in) Dimensions (mm)				重量 (Kg) Weight
		d	D	B	C	
φ 61.4 × 15	1	15	61.4	23.5	22	0.3
φ 59 × 15	1	15	59	20.5	19	
φ 47 × 14.5	3	14.5	47	23.8	20.8	
φ 72 × φ 18 × 30	3	18	72	30	25	
φ 125 × φ 30 × 40	1	30	125	40	33	2.24
φ 125 × φ 25 × 36.5	1	25	125	36.5	33	2.20
φ 122 × φ 25 × 36.8	2	25	122	36.8	33.4	2.19
φ 125.4 × φ 25 × 36.5	1	25	125.4	36.5	33	2.22
φ 82 × φ 20 × 29	1	20	80	29	27	
φ 59 × φ 16 × 20	1	16	59	20	19	0.225
φ 59.13 × φ 11.25 × 21.1	2	11.25	59.13	21.1	19.05	
φ 35 × φ 10 × 19.5	3	10	35	19.5	16	0.09
φ 62 × φ 12 × 13	3	12	62	13	12	0.235
φ 62 × φ 16 × 20.5	3	16	62	20.5	18	
φ 54 × φ 10 × 10.5	4	10	54	10.5	10	

轴承代号 Bearing No.	型号 Type	外形尺寸 (in) Dimensions (mm)				重量 (Kg) Weight
		d	D	B	C	
φ 38 × φ 11 × 29	4	11	38	29	13	
φ 45 × φ 12 × 31	4	12	45	31	13	
φ 44 × φ M8 × 0.75 × 21.5	4	M8 × 0.75	44	21.5	12	
φ 34 × φ 7 × 8.8	3	7	34	8.8	8	
φ 52 × φ 12 × 22	1	12	52	22	16	
φ 43 × φ M8 × 52.5	2	M8	43	52.5	34	
φ 30 × φ 6 × 8	3	6	30	8	7	
φ 35 × 8	5	8	35	9	8	0.048
φ 44 × 12	6	8	44	24	12	0.125
φ 57 × 10	5	8	57	12	10	0.16
φ 60 × 15	6	8	60	32	15	0.29
φ 66 × 12	5	10	66	14.5	12	0.25
φ 68 × 18	6	10	68	34.5	18	0.4
φ 83 × 14	5	12	83	17.5	14	0.48
φ 85 × 20	6	12	85	46.5	20	0.78
φ 66 × 20	5	12	66	20	12	0.25
φ 66 × 15	5	12	66	15	12	0.25
φ 60 × 20	5	10	60	20	10	0.2
φ 55 × 20	5	10	55	20	10	0.16
φ 57 × 20	5	10	57	20	10	0.17
φ 57 × 16	5	10	57	16	10	0.17
φ 57 × 12	5	10	57	12	10	0.17
φ 60 × 16 × 21.5	1	16	60	21.5	20	0.35
φ 63 × 16 × 27	1	16	63	27	20	
φ 75 × 54	7	25	75	54	25	0.657
φ 75 × 56	7	M24	75	56	25	0.629
XG75 × 25.4 × 55	7	25.4	75	55	25	
XG75 × 25 × 55	7	25	75	55	25	
XG125 × 25.5 × 36.5	1	25.5	125	36.5	33	2.191
XG125 × 26 × 36.5	1	26	125	36.5	33	2.191
XG82 × 25	1	25	82	28.5	25.4	0.621
φ 61 × 12.7 × 40	1	12.7	61	40	20	
φ 47 × 10 × 27	1	5.8	47	27	15	1.943
φ 120 × 25 × 36	2	25	120	36	33	2.1
φ 125 × 25 × 36	2	25	125	36	33	2.191
φ 135 × 25 × 36	2	25	135	36	33	2.776
φ 42 × 13 × 29	8	13	42	31	29	
φ 60 × 16.2 × 65	8	16.2	60	65	60	0.35
φ 70 × 16.2 × 50	8	16.2	70	50	45	1.125
φ 70 × 16.2 × 60	8	16.5	70	60	55	1.2
φ 70 × 16.2 × 70	8	16.2	70	70	65	1.34
WVG48.5 × 28.6	8	13	48.5	28.6	25.6	0.25
φ 97.9 × 25 × 33.5	3	25	97.9	33.5	27	1.21

◆ 概要 (Outline)

轴承的历史也随着时代的变迁而变化。

随着消费者的用途多样化而小量多品种，但是现阶段的标准轴承为高速低负重发展，对于低速高负重用途，特别是耐热、耐腐蚀、耐化学性方面不适用，本公司为以上问题的解决开发制作高负重，耐热、耐腐蚀等特殊用途的轴承。

The history of bearings is in line with changes of time. As customers' needs and applications are diversified, small order quantities of many kinds is on an increasing trend. Bearings have mostly been developed and produced for high speed and lightweight purposes so far and thus not appropriate for low speed and heavy weight purposes. They are also not applicable to heat treated chemical-resistant and anti-corrosion purposes. It has been very difficult to produce bearings with extraordinary specification of material and shape and small order quantity. To meet such demand of this time, we are producing bearings for the special purposes such as heavy weight, heat-resistant, anti-corrosion and so on which are appropriate for various industrial applications.

◆ 特征 (Features)

- 1) 高负重: 输送机, 停车设备, 铲车等
- 2) 各种材质:
- 3) 复杂环境下订制
- 4) 各类油脂: 耐热、耐腐、耐磨
- 5) 条件: 苛刻条件下使用
- 6) 少量, 多品种
- 7) 及时交货: 灵活的设计方案, 使小订单在短期内可交货

- 1) Heavy weight purpose: Conveyors, parking equipment, forklift, or big wheels
- 2) Various materials: SUJ, SUS, SCM, S45C
- 3) Complex shapes: Manufacturing complex shape to orders
- 4) Various types of grease: Available are heat-resistant, anti-corrosion, wear-resistant ones
- 5) Conditions: Usable under such harsh conditions as underwater application
- 6) Orders with small quantities and many kinds acceptable: Applicable to either ball bearings or roller bearings
- 7) Timely delivery: Flexible layout of production facilities makes it possible to produce even small quantities in a short period of time

◆ 用途 (Uses)

- 1) 输送机
- 2) 停车设备, 电梯
- 3) 铲车
- 4) 起重机
- 5) 产业机械
- 6) 其它物流自动化设备

- 1) Conveyor (trolley, slat, top etc)
- 2) Parking equipment, elevator
- 3) Lifter, forklifts
- 4) Hoist crane
- 5) Industrial machines
- 6) Other automated transportation system

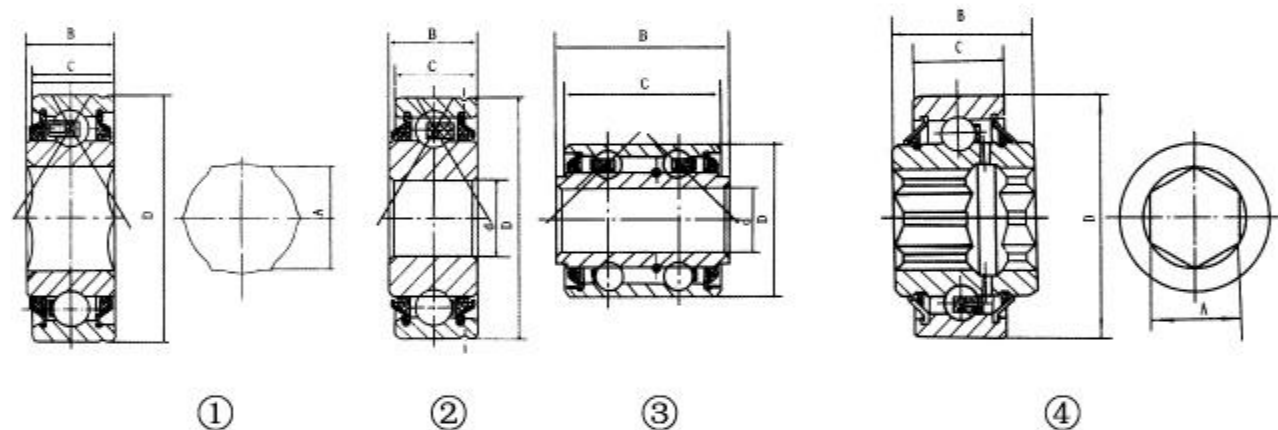
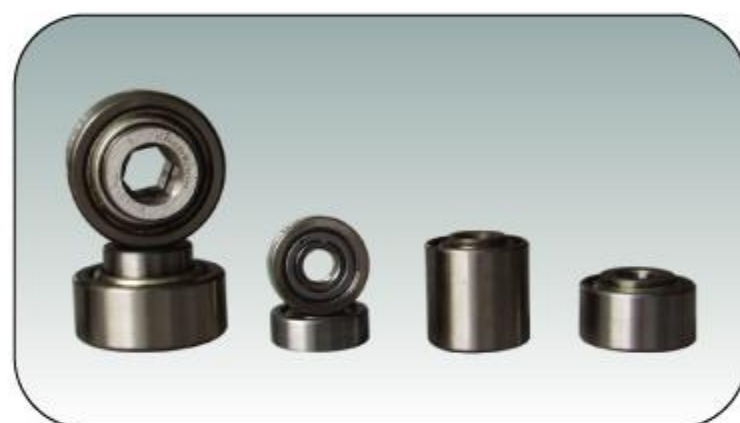
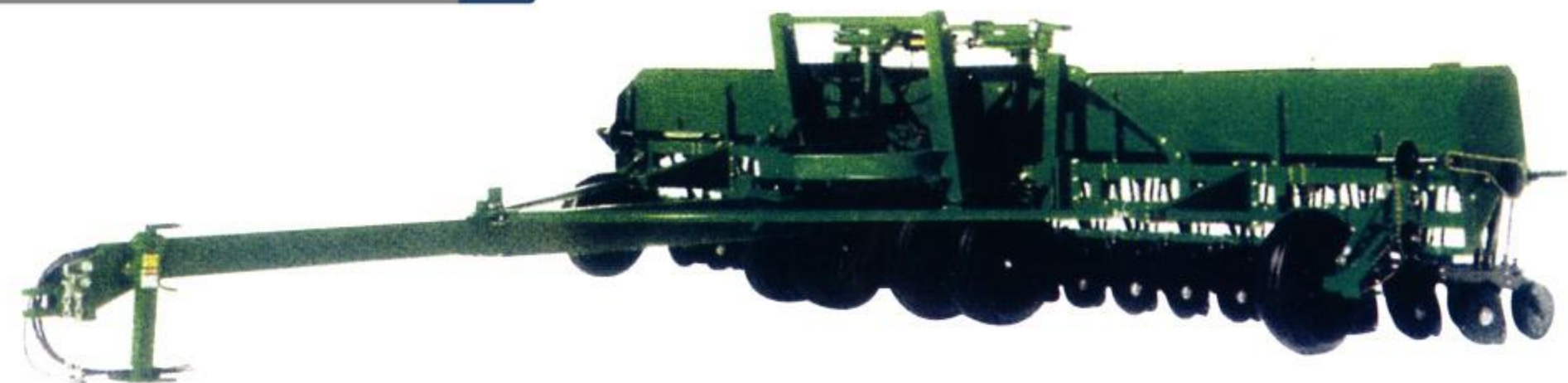
◆ 种类 (Types)

- 1) 保持架, 满球型式轴承
- 2) 滚针轴承

- 1) Special shape of BALL BEARINGS (Retainer & Full ball type)
- 2) Special shape of NEEDLE ROLLER BEARINGS



农用机械轴承 AGRI-BEARING



◆ 技术参数 (Technical parameters)

轴承代号 Bearing No.	型号 Type	外形尺寸 (in) Dimensions (mm)					备注 Remark
		d	A	D	C	D	
203DD-008V	2			40.000	12.04	21.97	
AA205dd	2	16.13		53.086	18.24	19.40	
205DD-003V	2	25.58		53.086	18.24	34.04	
205DD-004V	1		19.180	53.086	18.24	34.04	
205DD-005V	1		19.180	53.086	18.24	19.40	
205DD-006V	1		22.479	53.086	18.24	19.40	
205DD-007V	2	19.30		53.086	18.24	19.40	
205DD-009V	1		19.180	53.086	18.24	43.51	
CB205GGRA	4		17.882 ^{+0.127} ₀	57.53 ⁰ _{-0.025}	23.08 ⁰ _{-0.12}	38.0 ⁰ _{-0.12}	
CB207GGRA	4		25.559 ^{+0.127} ₀	58.05 ⁰ _{-0.025}	27.8 ⁰ _{-0.12}	43.0 ⁰ _{-0.12}	
5203KYY2	3	16.256	40	39	39		
205NTT-625	2	16.03		52.000	18.00	21.08	
205NTT-750	2	19.20		52.000	18.00	21.08	
205VVHN	1	16.005		53.086	18.3	19.45	
204PY3	1	16.10		45.21	18.60	15.45	

悬挂输送机 TR TROLLEY CONVEYOR

◆ 概要 (Outline)

悬挂输送机是使物品上、下、左、右自由搬运, 利用厂房空间设计立体的轨道输送体系, 并按物品的形状制作各种吊具。

With pre-set rails installed upon customer's needs for using their factories' ceiling space, trolley conveyor travels along with the rails that run four direction; up, down, left and right. Customers may attach various kinds of hangers to trolley where the customers, products will be hung.

The "POWER ONLY TYPE" conveys TROLLEY HANERS that has the products directly attached. Meanwhile, "POWER & FREE TYPE" pulls the chain, and the chain lead separated hangers where the products will be hung. This system is desirable for lines that need free "Stop and Go" process.



◆ 特征 (Features)

1) 利用窄小空间自由的、有效的利用, 作业者不可通过的地区也可畅通无阻。

With the advantage of efficient use of limited space, TROLLEY CHAIN (UNIVERSAL CHAIN) can convey through the places that cannot be reached by workers. Consequently, customers can make the most of factories' ground.

2) 路线变更方便 (Simple change of rail direction)
各配件的拆卸、组装方便, 车间布局变更时, 改造移动方便, 易于保修。

In the event of Lay-out modification, customers may extend, modify, transfer or set up easily thanks to a simple disassembly and assembly method.



3) 防止搬运物的损伤(Prevention of damages to the loads)

搬运物挂在吊具上在空间运行, 比在地面上人为移动可防止物件的碰撞损伤

Since the system transfer the loads attached to hangers, it minimizes possible risk of damages to the loads that could occur when workers carry them manually.

4) 生产力的提高(Increase of the productivity)

系统简化生产线路控制, 提供无间断输送, 系统同一时间可输送大量产品, 所以它可以日夜作业, 从而提高生产力

The system simplifies the line's process control, and provides seamless conveyance based on pre-set intervals. Ultimately, the system carries a large amount of products in a time, and since it can operate day and night, it will increase the oproductivity.

5) 全自动(Full Automation)

客户可以有效的将零件或半成品应用在主线上, 实现无人自动化

Customers can apply parts or half-finished products to MAIN LINE efficiently, which, in turn, makes possible of unmanned full automation.

6) 缩短安装时间(On Time Supply System)

配件标准, 严格控制计划生产, 保证库存, 按客户要求马上安装

In order to supply the products to our customers on time, we always secure the stock due to our strict control of production schedule and standardization of the products.

7) 多用途(Various Uses)

除了搬运以外, 此系统可用于清洗、喷涂、电镀、烘干、组装、检验、包装等广泛的生产工序作业

Our system is available for such a various purpose of tasks as washing, painting, plating, drying, assembling, inspection, packing and the more.

◆ 用途 (Uses)

1) 组装线 (Assembly line)

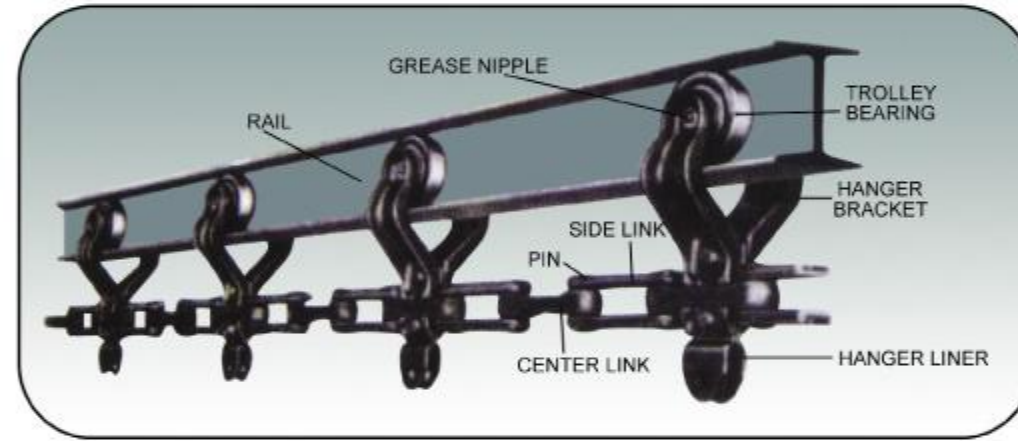
汽车、电器、电子产品
Automobile, and electronic or electric goods

2) 搬运线 (Conveying line)

轮胎、钢铁、衣类等
Tyre, steel, ceramic ware, clothes, sanitary goods and the more

3) 涂装、电镀、干燥线 (Painting, Plating and Drying line)

汽车、家电、机械、家具等
Automobile, electric appliances, machines, furniture and resins

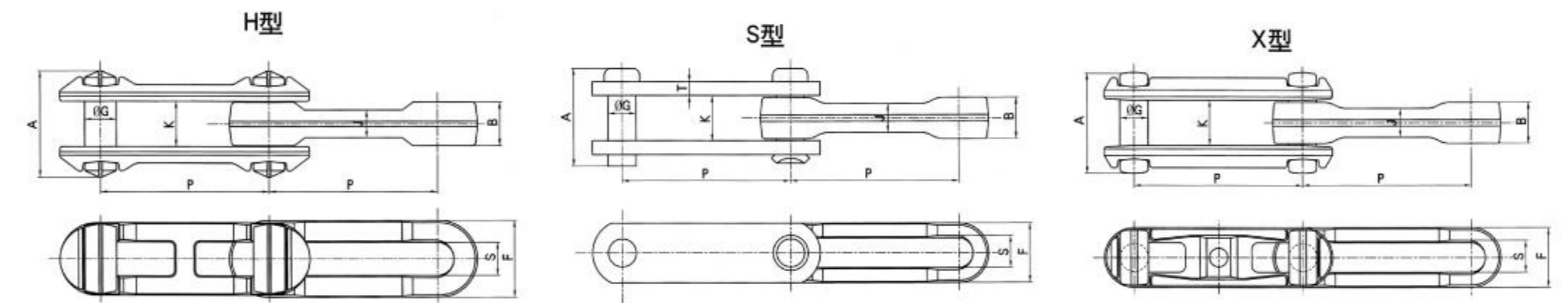
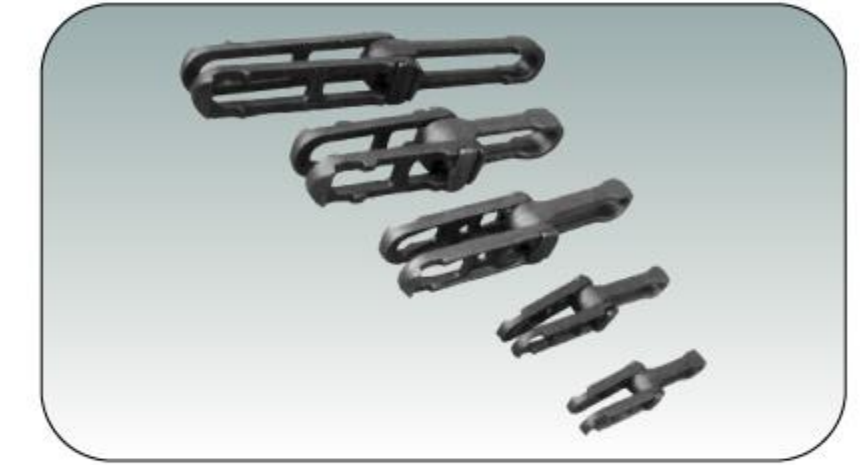
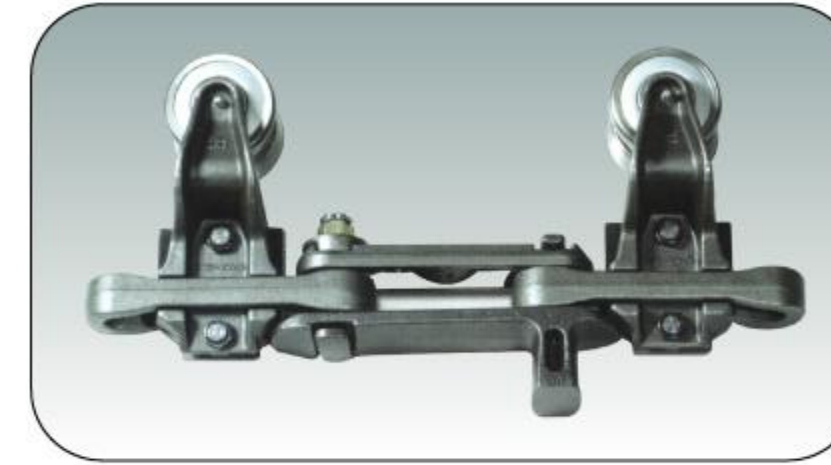


◆ 代表性的安装场所

1) 汽车厂, 生产线 2) 电子公司生产线 3) 前处理, 电泳涂装线



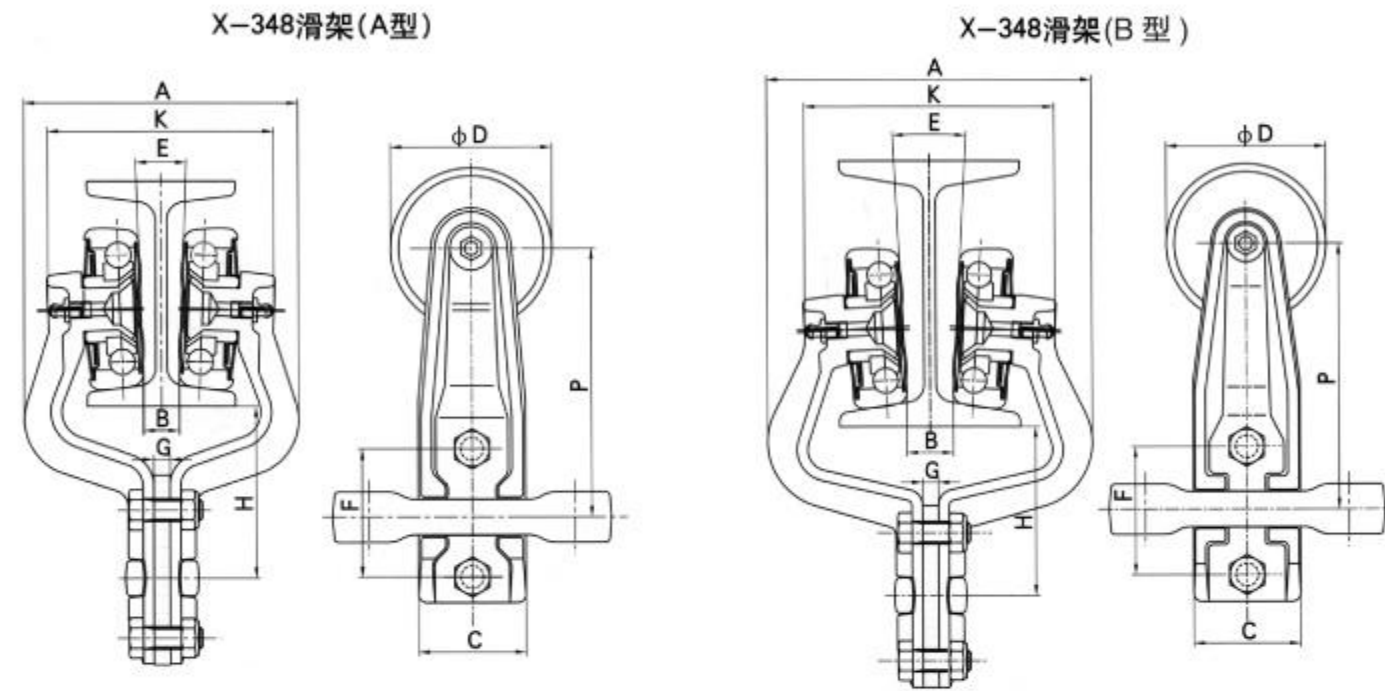
一、模锻易拆链 (DROP RIVETLESS FORGED CHAIN)



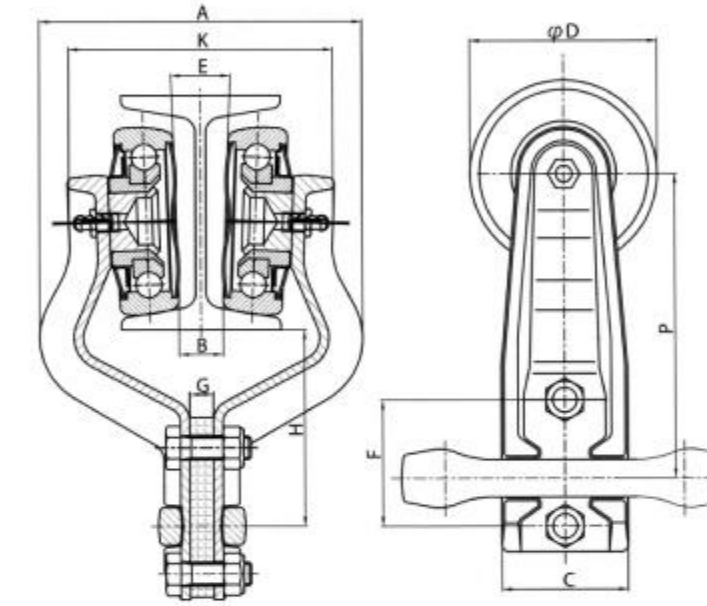
◆ 技术参数 (Technical parameters)

	链号 Chain No.	节距 Pitch	尺寸 Dimensions (mm)						侧向 转角 Angle	标准测量 长度节数 Pitch No.	标准测量长度 Length (mm)	抗拉强度 Tensile strength (KN)	每米重量 Weight (kg/m)
			A	F	G	J	K	S					
英制 British Sys.	80H	80	73	42	18.4	20	34.5	19.5	7	38	3032/3058	250	7.8
	X348	76.6	46	27	12.7	12.7	20.6	13.5	9	40	3050.5/3095.2	110	3.2
	X458	102.4	57	37	16	16	26.5	17.5	9	30	3063.1/3090.2	210	5.2
	468H	102.4	84.1	47.8	18	29.5	42.9	22.2	9	30	3063.1/3090.2	318	11.5
	X658	153.2	55.6	35	16	16	57.2	17.5	7	20	3055.1/3082.8	210	4
	X678	153.2	77	50.8	22.2	21	34.2	25	7	20	3055.1/3082.8	320	9.5
	678	153.2	77	50.8	22.2	21	34.2	25	7	20	3055.1/3082.8	320	9.5
	698	153.2	95.25	64	28	25.4	41.3	32	5	20	3055.1/3082.8	515	17
	998	229.4	95.25	67.5	28	25.4	41.3	32	5	13	3205/3232.4	515	14.8
	9118	229.4	123.8	76.2	35	33.5	52	38.1	5	13	3205/3232.4	832	24.2
	S348	76.6	28.9	28.6	12.7	12.7	20.6	13.5	9	40	3050.5/3095.2	110	3.2
	S458	102.4	52.1	35	16	16	26.5	17.5	9	30	3063.1/3090.2	210	5.2
	S678	153.2	69.8	50.8	22.2	21	34.2	25	7	20	3055.1/3082.8	320	9.5
	S698	153.2	73	68.3	28	25.4	41.3	32	5	20	3055.1/3082.8	515	17
	S9118	229.4	98.4	77.8	35	33.5	52	38.1	5	13	3205/3232.4	832	24.2
公制 Metric Sys.	XT100	100	57	37	16	16	26.5	17.5	9	30	2991.3/3081.3	210	5.2
	XT160	160	78	54	24	20.5	36	28	7	20	3190.7/3219.5	318	10.3

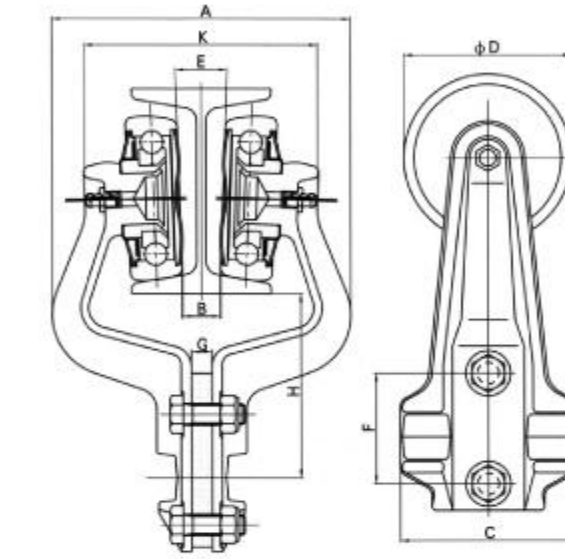
二、滑架 (TROLLEY)



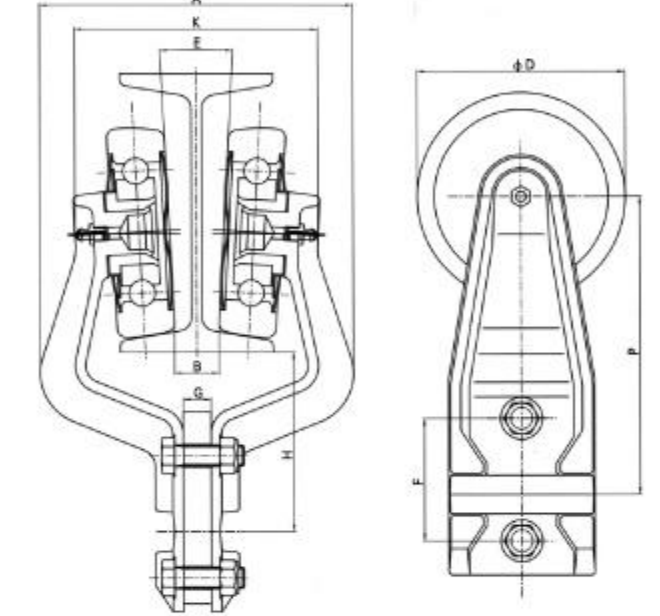
X-458 和 XT100 滑架 (A 型)



X678 滑架



XT160 滑架



◆ X-348滑架 (A型、B型) (X-348 Trolley)

名称 Trolley No.	锻件参数 Forgings Dimension (mm)											重量 Weight (kg)	轨道型式 I-Beam No.	单点载荷 Single-Point load (kg)	许用载荷 Allowable load (kg)	极限载荷 Limit load (kg)
	型号 Type	P	H	A	B	C	D	E	F	G	K					
X348-I	A	100	64	102	14	40	60	4	47.8	6	84	2.7	工8	100	1100	1800
X348-II	B	100	64	122	16	40	60	6	47.8	6	94					

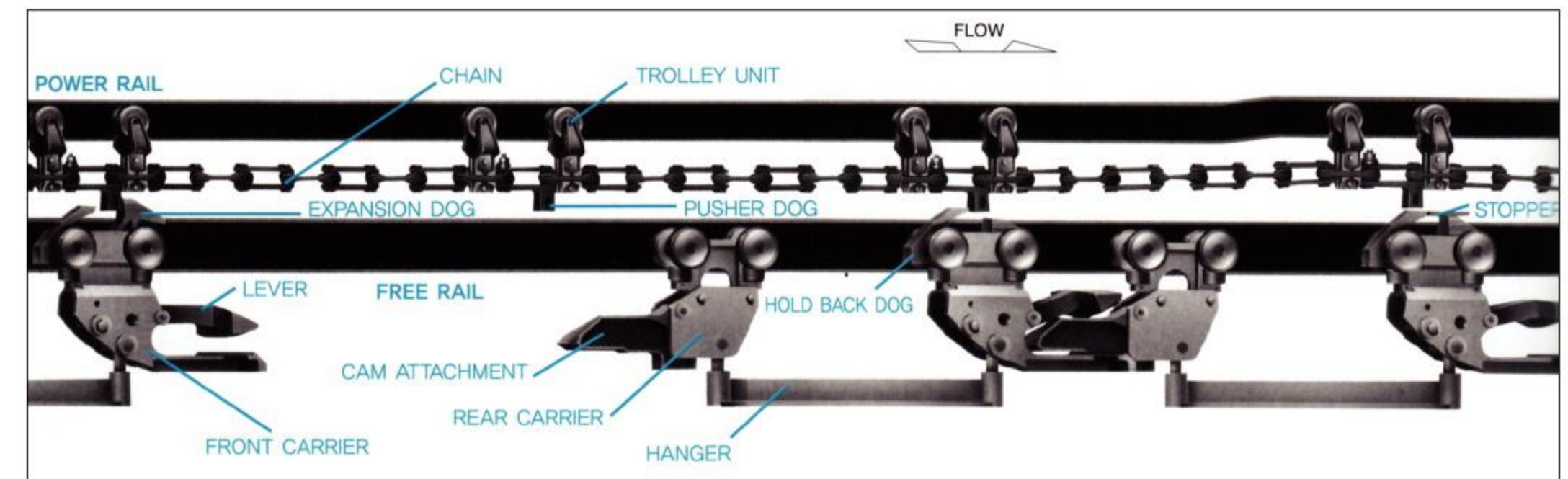
◆ X-458 和 XT100 滑架 (A 型) (X-458、XT100 Trolley)

名称 Trolley No.	锻件参数 Forgings Dimension (mm)											重量 Weight (kg)	轨道型式 I-Beam No.	单点载荷 Single-Point load (kg)	许用载荷 Allowable load (kg)	极限载荷 Limit load (kg)
	型号 Type	P	H	A	B	C	D	E	F	G	K					
滑架 Trolley - I	A	126	79	138	18	54	82	4	54	10	113	2.7	工10	200	1800	3600
滑架 Trolley - II	A	127	80	138	18	56	82	4	54	10	113					
滑架 Trolley - III	A	130	82	138	18	54	82	4	54	10	113					
加长滑架 Lengthening Trolley	A	150	103	138	18	54	82	4	54	10	11					

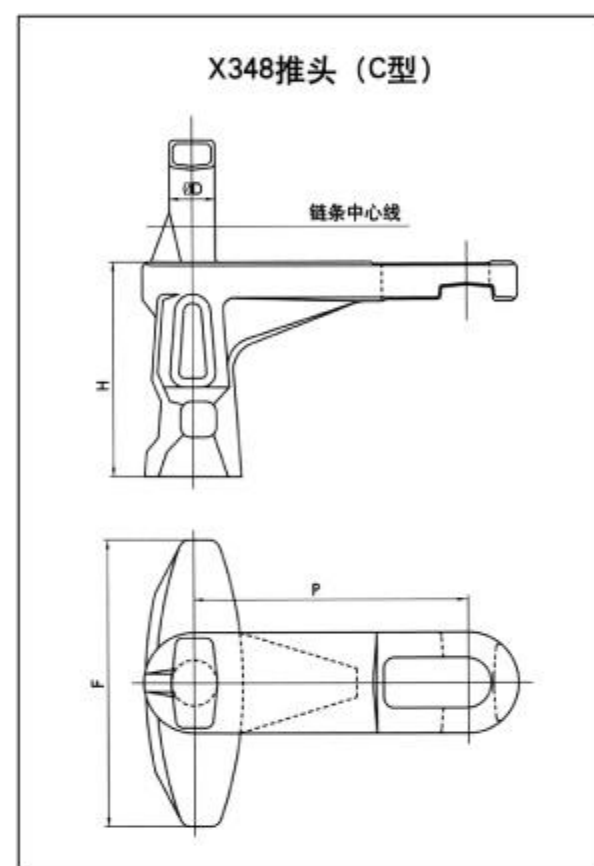
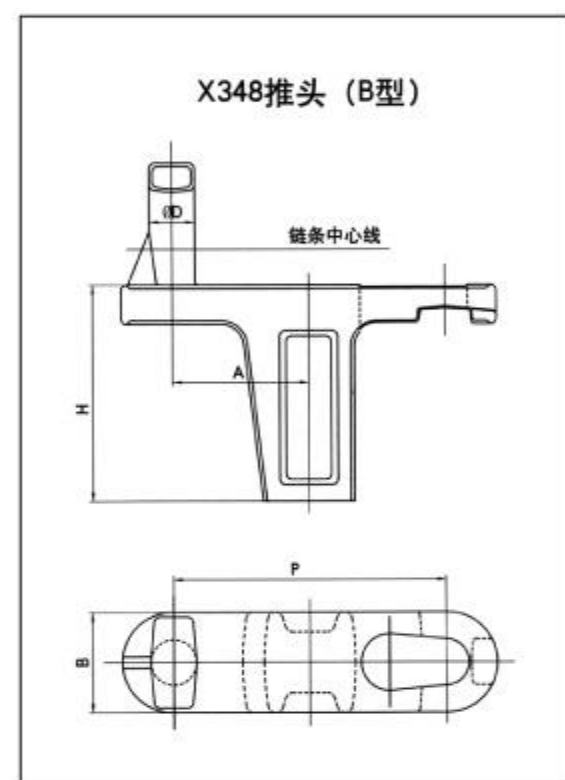
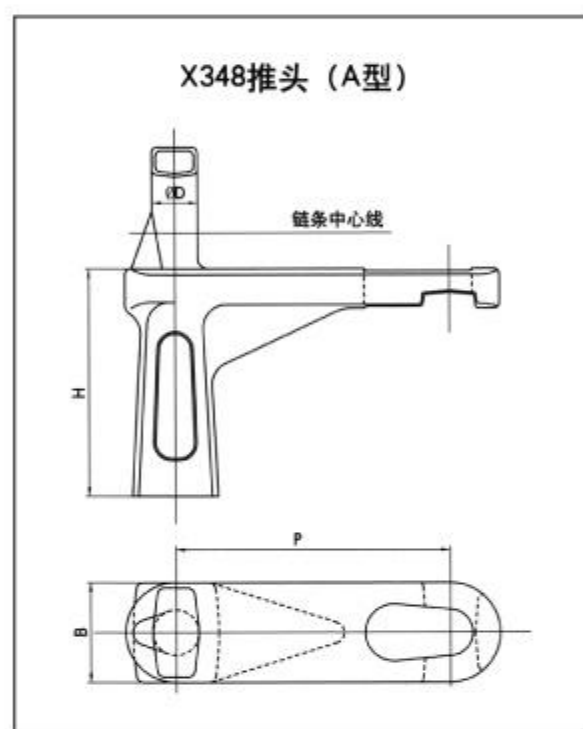
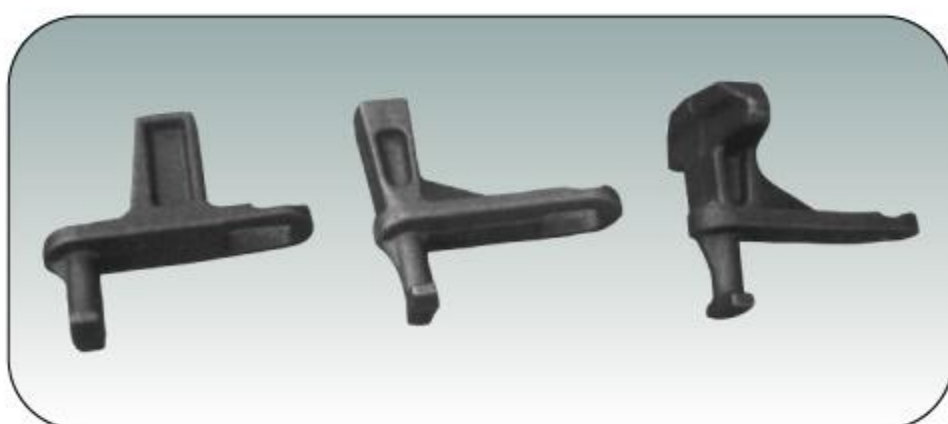
◆ X678、XT160 滑架 (X-678、XT160 Trolley)

名称 Trolley No.	锻件参数 Forgings Dimension (mm)										重量 Weight (kg)	轨道型式 I-Beam No.	单点载荷 Single-Point load (kg)	许用载荷 Allowable load (kg)	极限载荷 Limit load (kg)
	P	H	A	B	C	D	E	F	G	K					
X678-I	136	89	146	18	86	82	4	54	10	114	3.2	工10	600	5000	7700
X678-II	134.5	87.5	142	18	86	82	4	54	10	106	2.8	工10	550	4500	7200
XT160-I	171	103	180	26	84	120	6	70	16	140	9.7	工14, 工16	750	5500	8500
XT160-II	170	102	174	26	86	120	4	70	16	148	8.8	工14, 工16	700	5000	8000

◆ Over head P/F conveyor

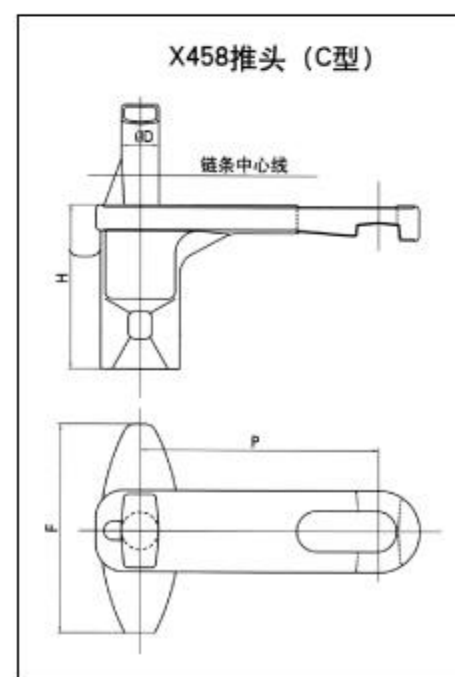
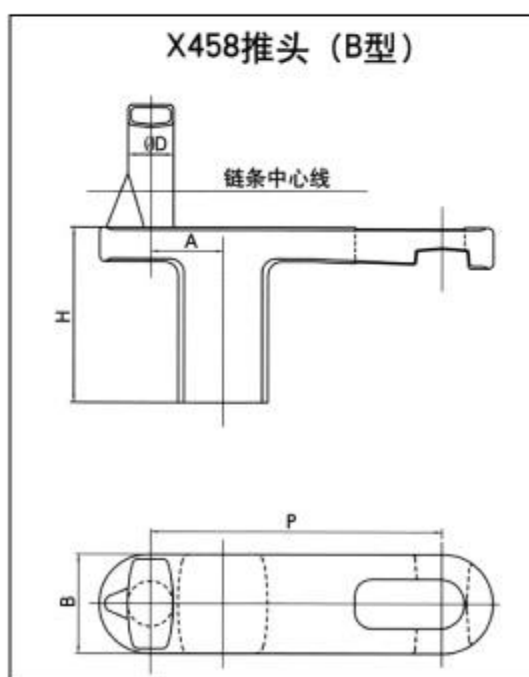
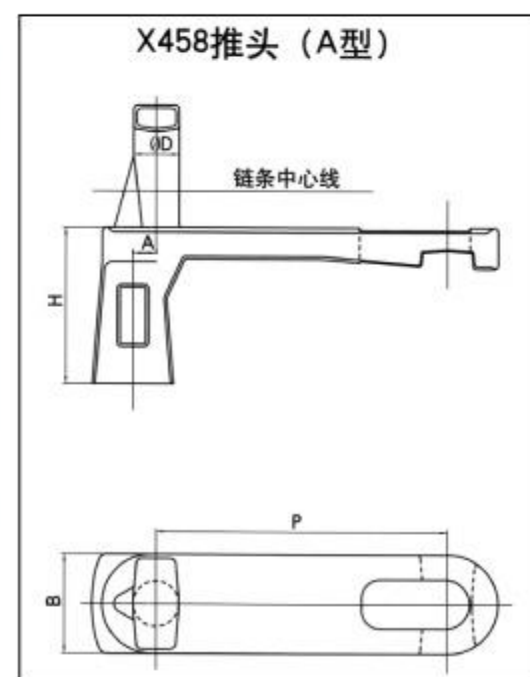


四、推头 (PUSHER DOG)



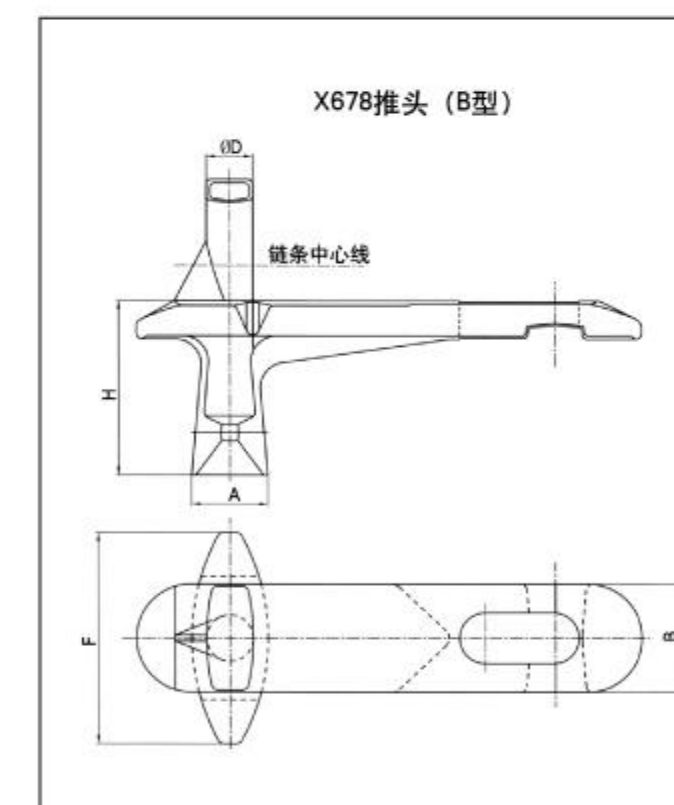
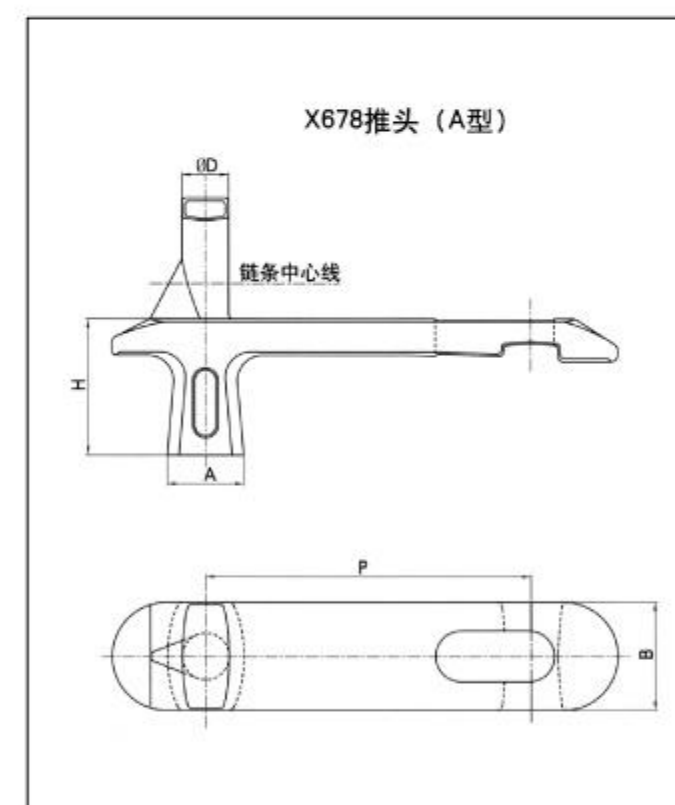
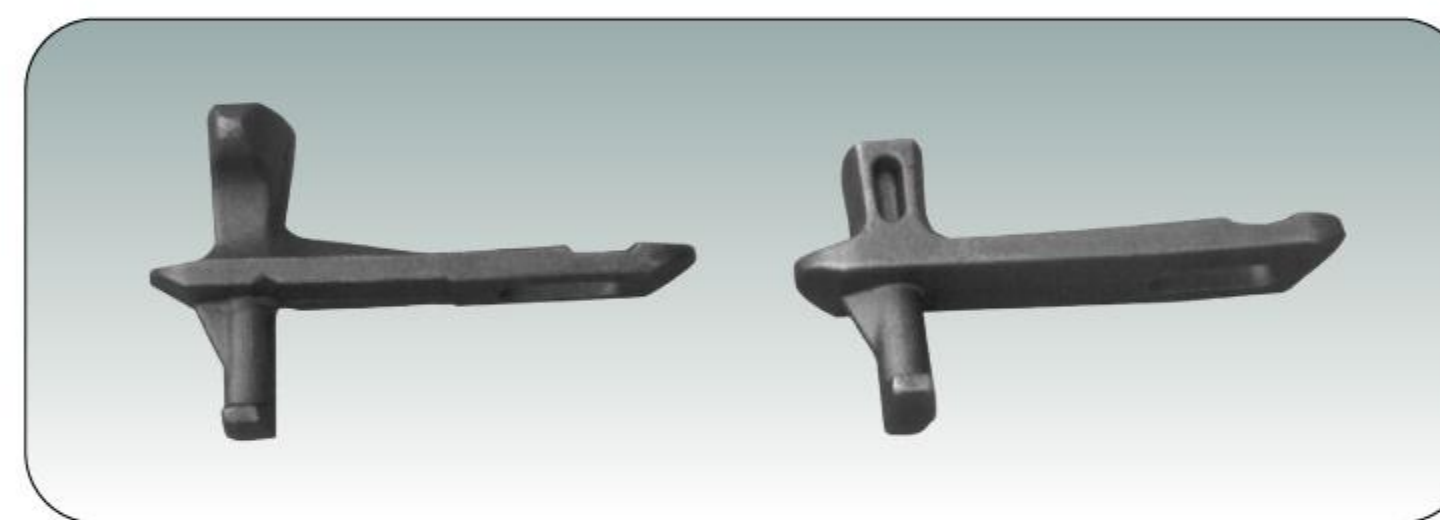
◆ 技术参数 (Technical parameters)

名称 Pusher Dog No.	锻件参数 Forgings Dimension (mm)					重量 Weight (kg)	许用载荷 Allowable load (kg)	极限载荷 Limit load (kg)
	P	H	A	D	F			
X348 (A型)	76.6	63.5	/	12.7	/	0.42	900	1100
X348 (B型)	76.2	60.3	38.1	12.7	/	0.45	900	1100
X348 (C型)	76.6	60	/	12.7	80	0.65	900	1100



◆ 技术参数 (Technical parameters)

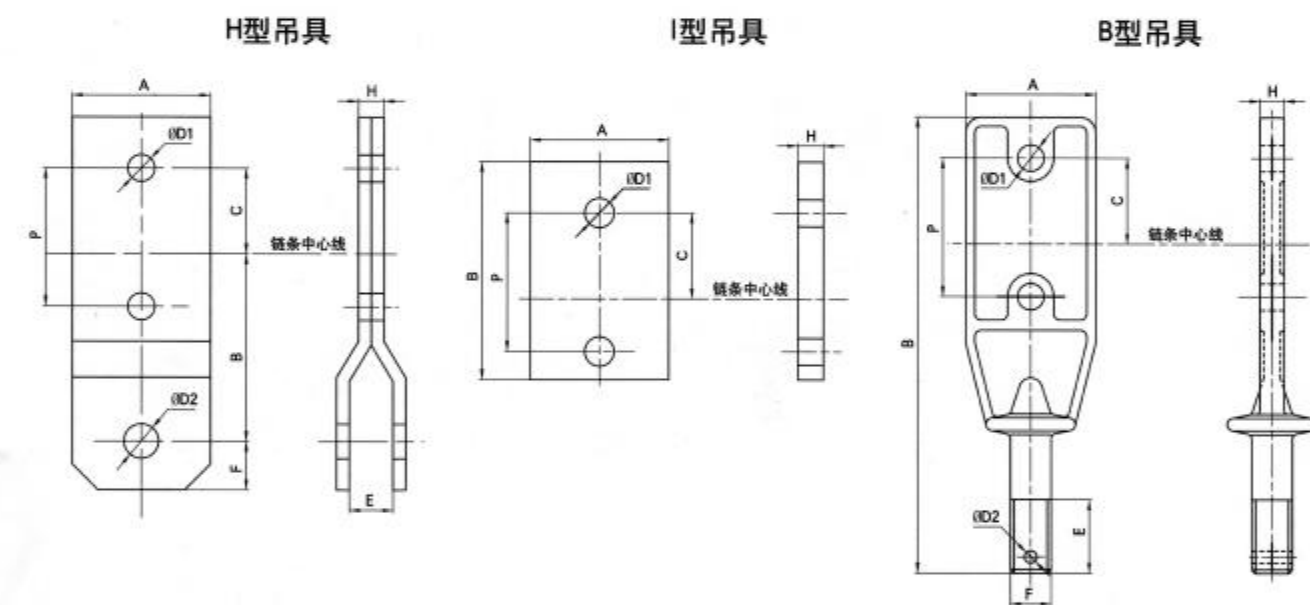
名称 Pusher Dog No.	锻件参数 Forgings Dimension (mm)						重量 Weight (kg)	许用载荷 Allowable load (kg)	极限载荷 Limit load (kg)
	P	H	A	B	D	F			
X458 (A型)	102.4	55	8.2	35	16	/	0.7	1500	2100
X458 (B型)	102.4	61.5	25.4	35	16	/	0.75	1500	2100
X458 (C型)	102.4	70.3	/	35	16	92	1.35	1500	2100



◆ 技术参数 (Technical parameters)

名称 Pusher Dog No.	锻件参数 Forgings Dimension (mm)						重量 Weight (kg)	许用载荷 Allowable load (kg)	极限载荷 Limit load (kg)
	P	H	A	B	D	F			
X678 (A型)	153.2	64	36	51	22	/	1.65	2700	3800
X678 (B型)	153.2	82	36	51	22	100	2.3	2700	3800

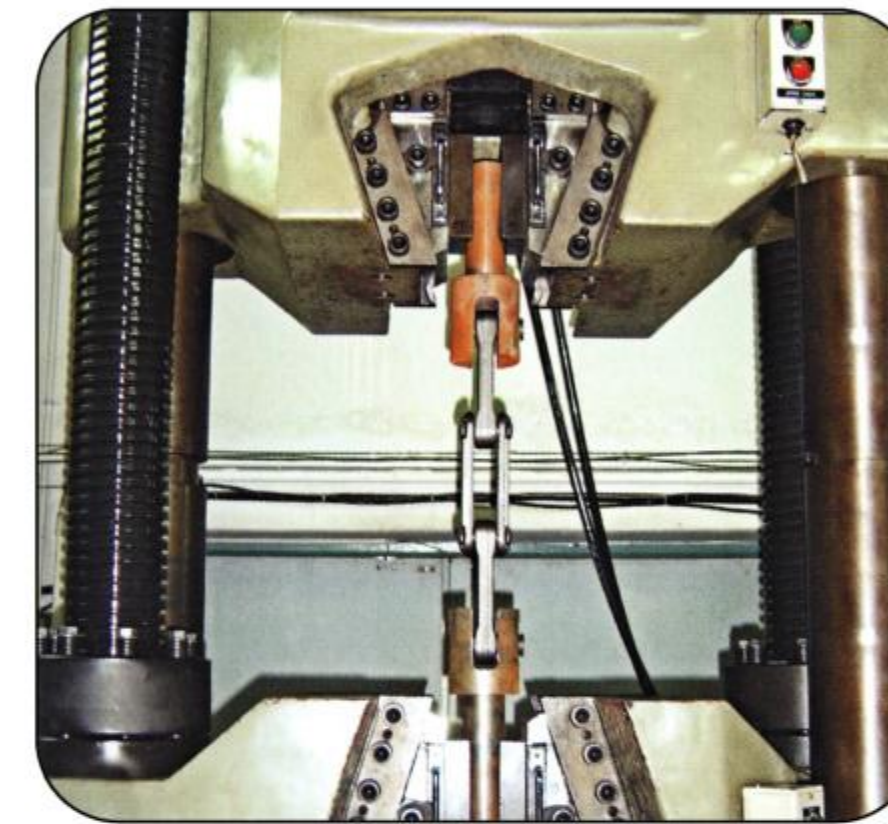
五、吊具 (ATTACHMENT)



◆ 技术参数 (Technical parameters)

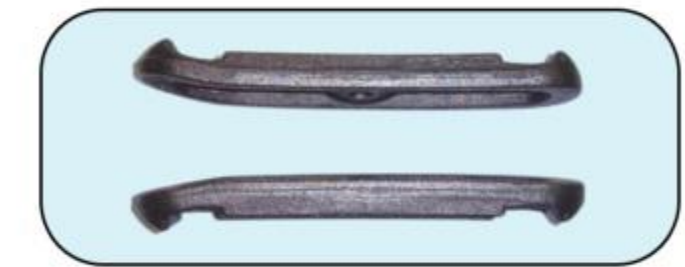
名称 Attachment No.	锻件参数 Forgings Dimension (mm)										重量 Weight (kg)	许用载荷 Allowable load (kg)	极限载荷 Limit load (kg)
	型号	P	A	B	C	D1	D2	E	F	H			
X348	H	47.8	38	79	25.4	9	13.5	15	16.6	6	0.24	1260	7000
X458	H	54	54	73	33.5	10.5	13.5	17	19	10	0.64	3600	20000
XT160	H	70	80	133.5	43.5	13	20	32	47	16	1.25	8000	45000
X348	I	47.8	38	68	25.4	9	/	/	/	6	0.12	/	/
X458	I	54	54	85	33.5	11.5	/	/	/	10	0.26	/	/
X678	I	54	54	85	33.5	11.5	/	/	/	10	0.26	/	/
XT160	I	70	80	110	43.5	13	/	/	/	16	1.1	/	/
X348	B	47.8	38.1	146.1	25.4	8.3	3.6	22.2	1/2"	6.4	0.2	1800	10000
X458	B	54	50.8	177.8	33.5	10.3	4.8	28.6	5/8"	9.5	0.45	3000	17000
XT160	B	70	76.2	222	43.5	14.3	5.6	34.9	7/8"	12.7	1.02	5760	32000

◆ 拉伸实验 (Test for trolley chain tensile strength)

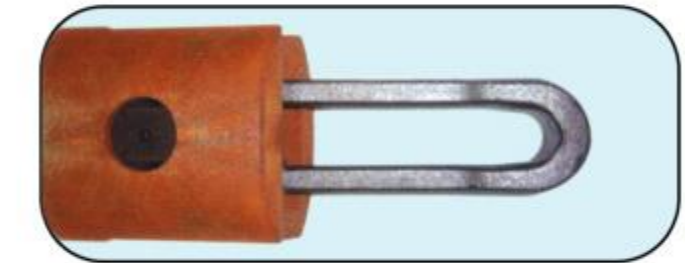


SHIMADZU UF-F200A

拉伸实验后各部变化
(Examples after the test)



TR678
边节 SIDE LINK



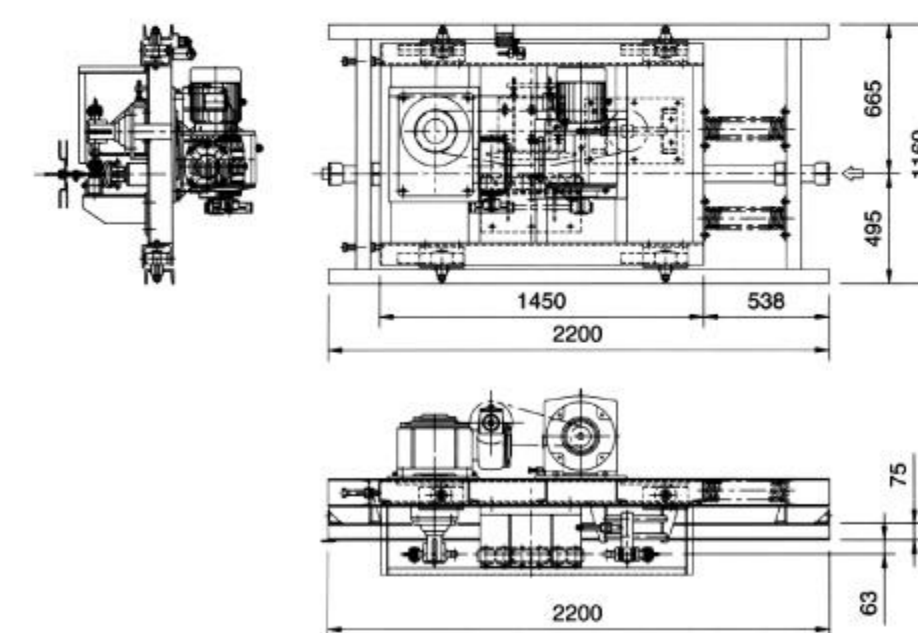
TR678
中间节 CENTER LINK



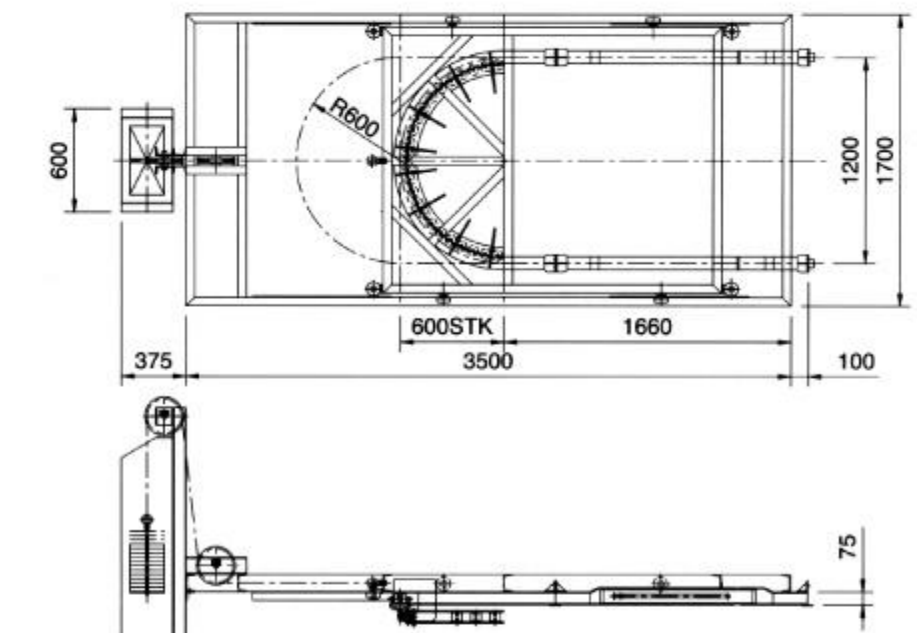
TR678
销钉 PIN

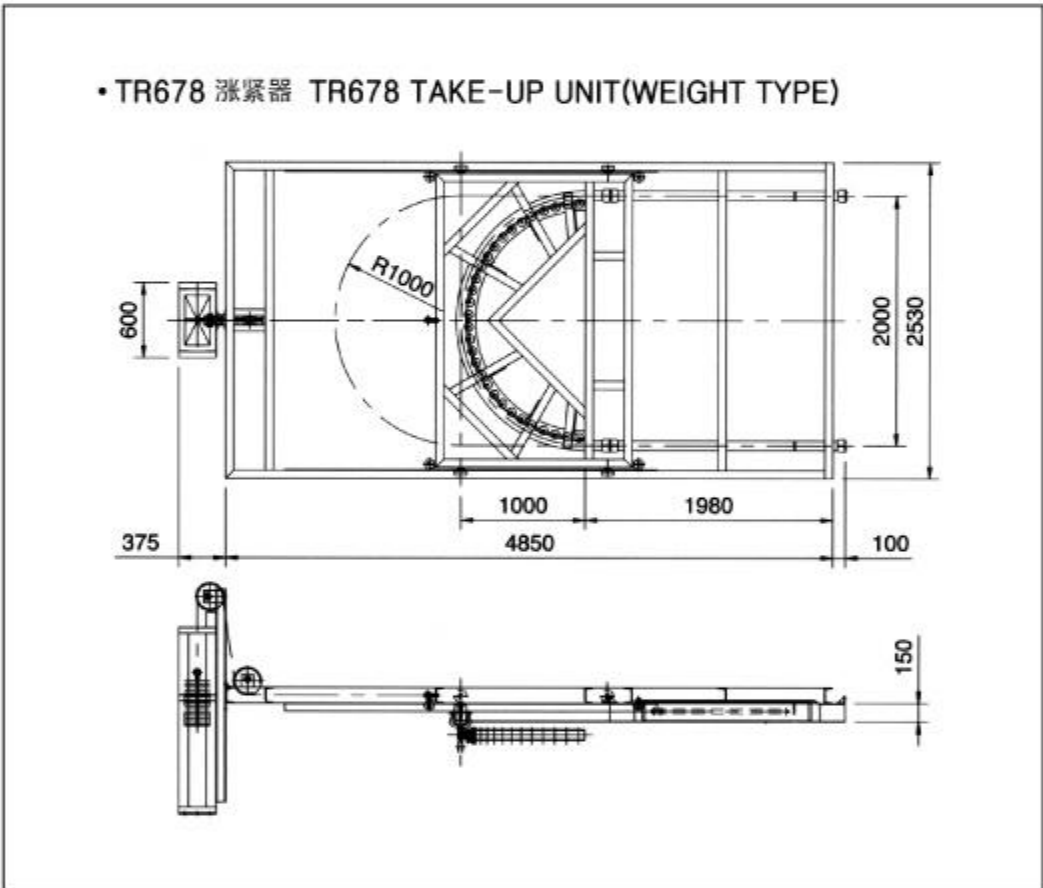
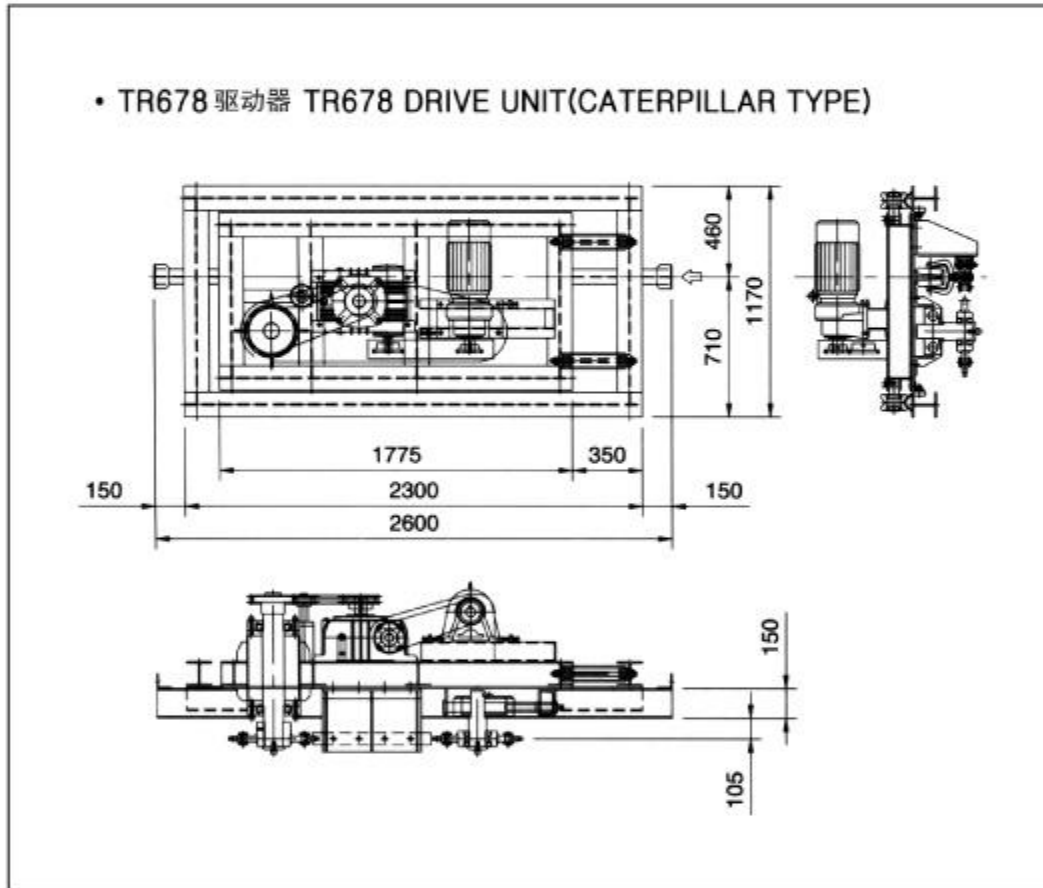
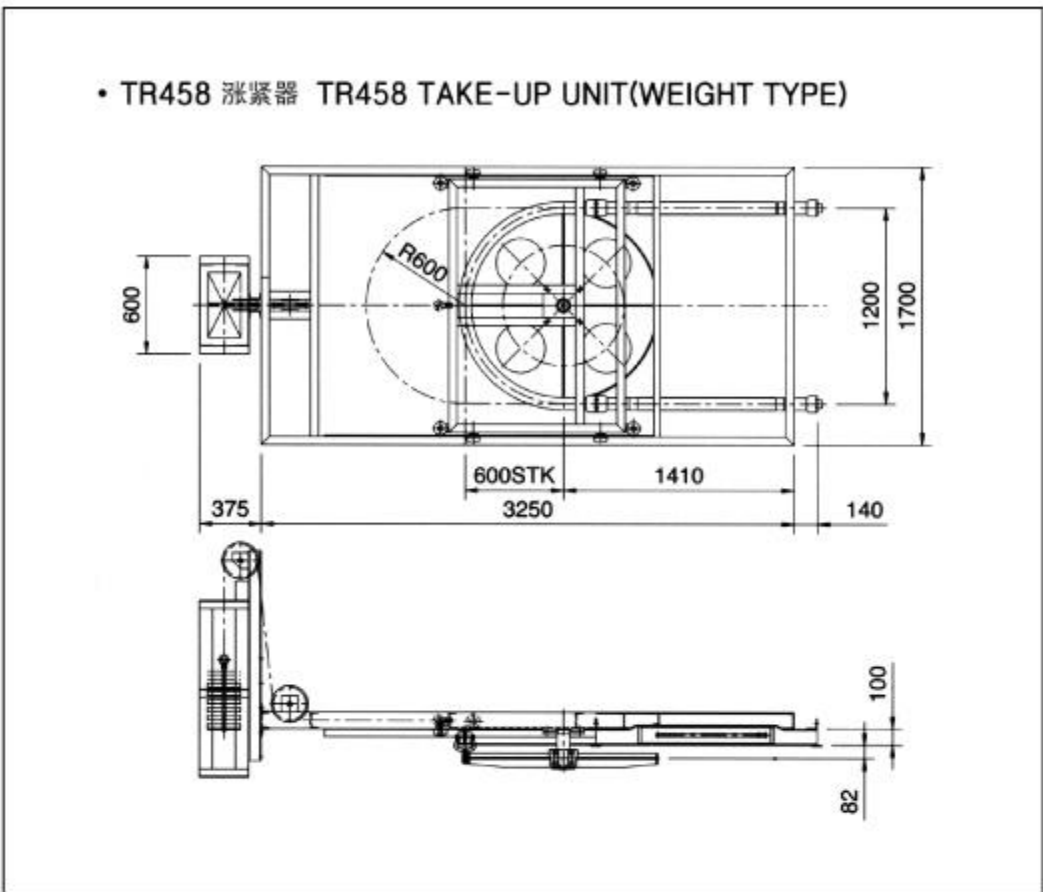
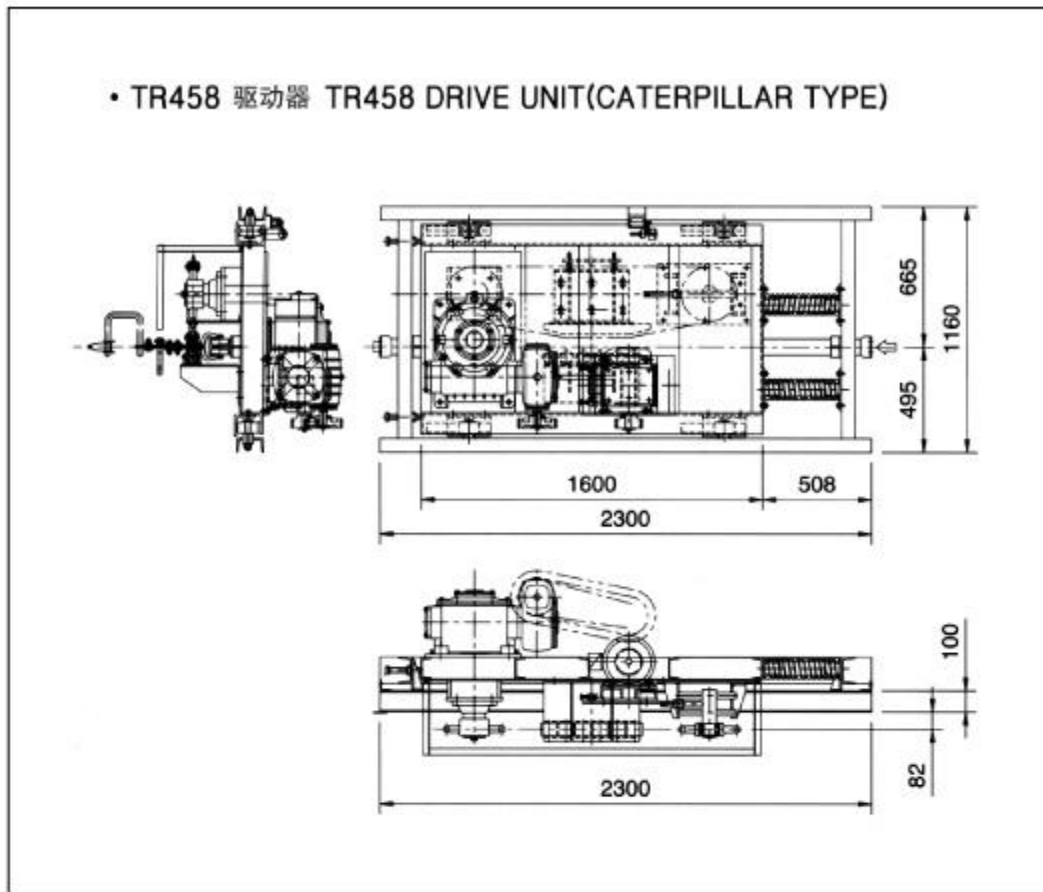
六、驱动器, 涨紧器 (DRIVE UNIT, TAKE-UP UNIT)

• TR348 驱动器 TR348 DRIVE UNIT(CATERPILLAR TYPE)



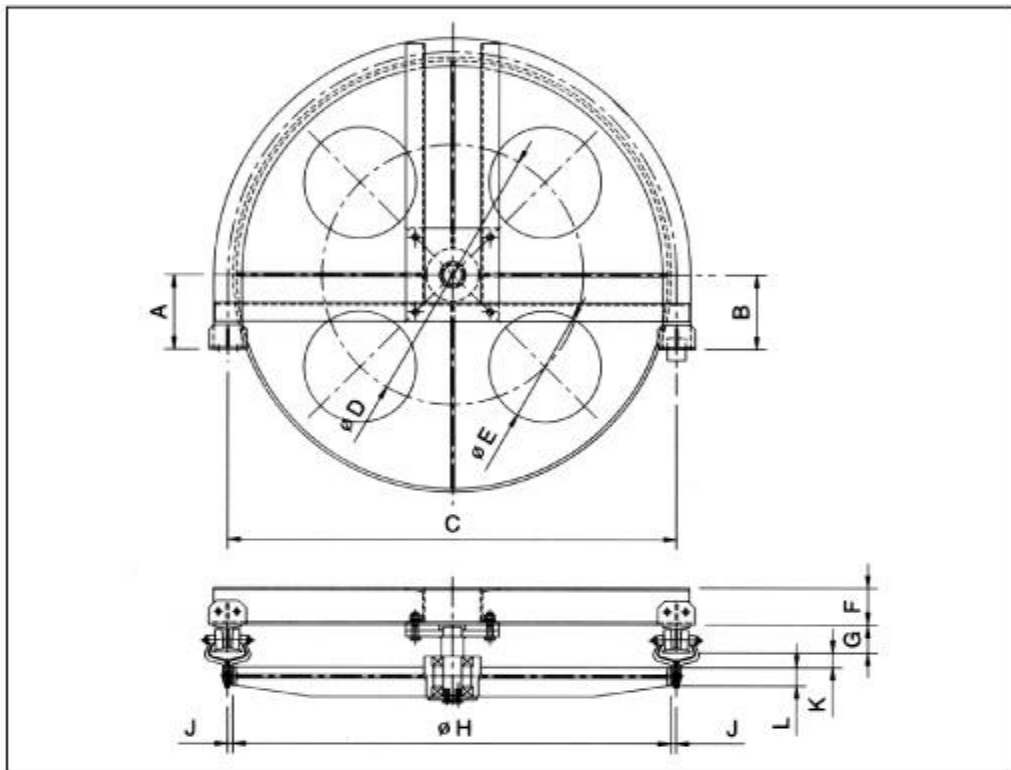
• TR348 涨紧器 TR348 TAKE-UP UNIT(WEIGHT TYPE)





	A	B	C	D	E	F	G	H	ΦJ	K	L	M	R	T
TR348	200	200	75	63	70	50	50	44	60	142.5	100	242.5	600	9
TR458	200	200	100	82	85	60	100	47.5	60	152	100	252	600	12
TR678	200	200	150	105	105	65	125	61	70	209	90	299	1,000	12

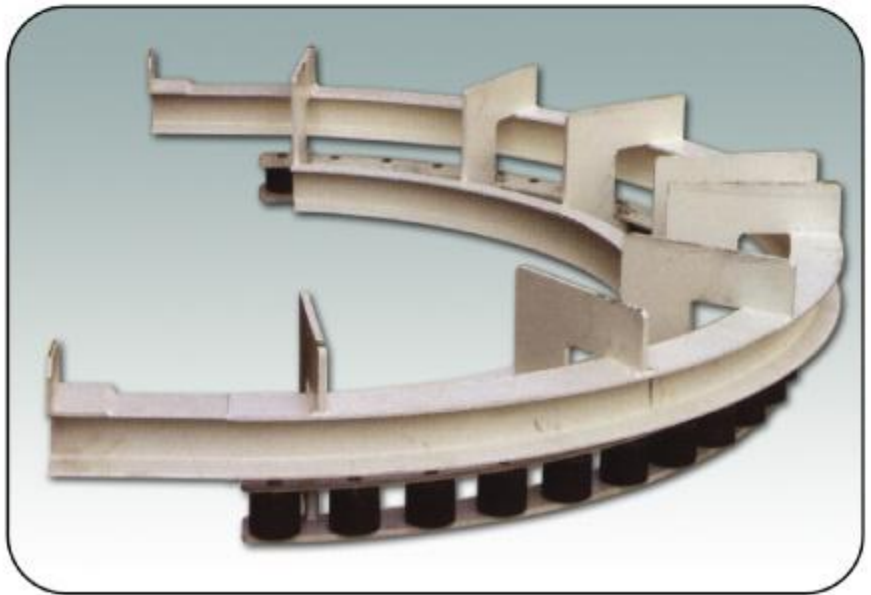
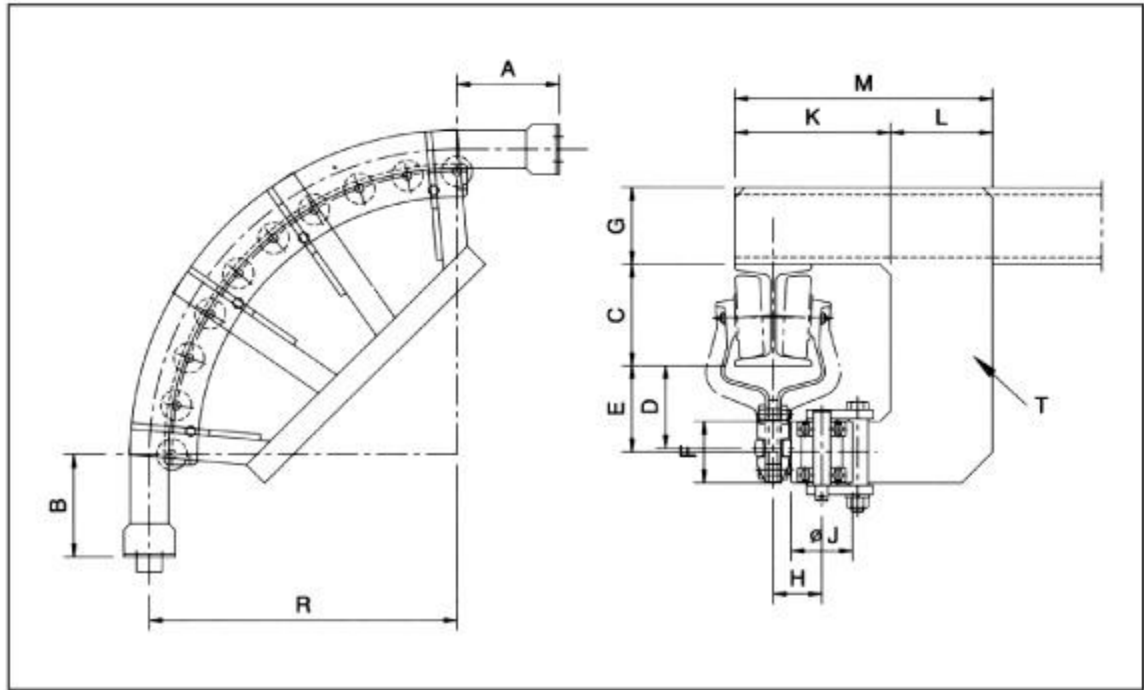
八、水平弯轨，轮子回转 (HORIZONTAL CURVE RAIL, WHEEL TURN)



角度及半径R600以上，30°以上即可以
(Angle and Radius : above r600 and 30°)

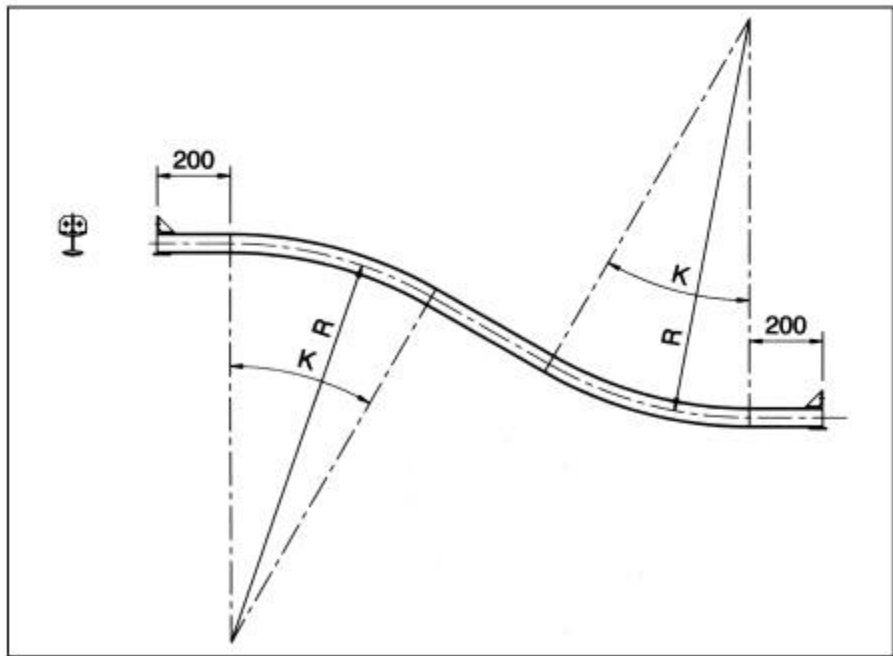
	A	B	C	D	E	F	G	ΦH	J	K	L			
TR348	200	200	120	740	300	100	75	1172	14	40	50			
TR458	200	200	120	740	300	100	75	1165	17.5	52	65			
TR678														

七、水平弯轨，滚子回转 (HORIZONTAL CURVE RAIL, ROLLER TURN)



角度及半径R600以上，30°以上即可以
(Angle and Radius : above r600 and 30°)

九、垂直弯轨 VERTICAL CURVE RAIL (POWER RAIL)



TR348	TROLLEY HANGER PITCH	(R)		
		1500	2000	2400
	4LINKS	○	○	○
	6LINKS		○	○
	8LINKS			○

TR348	TROLLEY HANGER PITCH	(R)			
		1800	2400	3000	3600
	2LINKS	○	○	○	○
	4LINKS		○	○	○
	6LINKS			○	○
	8LINKS				○

(TROLLEY HANGER PITCH)

